

# BRING THE PASTURE INSIDE

## Cattle Handling Products



**THECOMFORTZONE**  
FREESTALL SYSTEMS

**Artex**  
BARN SOLUTIONS  
artexbarn.com



## HISTORY AND PHILOSOPHY

Artex Barn Solutions is the inventor and manufacturer of the original free stall “**Comfort Zone**”™. Since 1975 Artex, along with its business and university partners, have studied cow comfort in the pasture to determine a cow’s natural environment and translated that into cow comfort in the barn environment.

As a result, Artex’s “**Comfort Zone**”™ products are designed to reduce animal stress by providing a barn environment that is as close to the pasture as possible. The benefit to the dairy farmer? The more a cow lays down, the more milk is produced in the udders. More milk means more production, which translates into more dollars into your pocket.





# COMFORT ZONE SYSTEM

The goal of the Comfort Zone System is to create an indoor environment closest to the natural pasture in order to increase rest time, reduce health issues and increase milk production of the herd.

Our university and field studies have revealed three main issues related to Cow Comfort.

**Entrance:** Cows that stand for hours and that are not fully in the stall are more prone to hoof issues and a decreased flow of blood to the udder which results in reduced milk production.

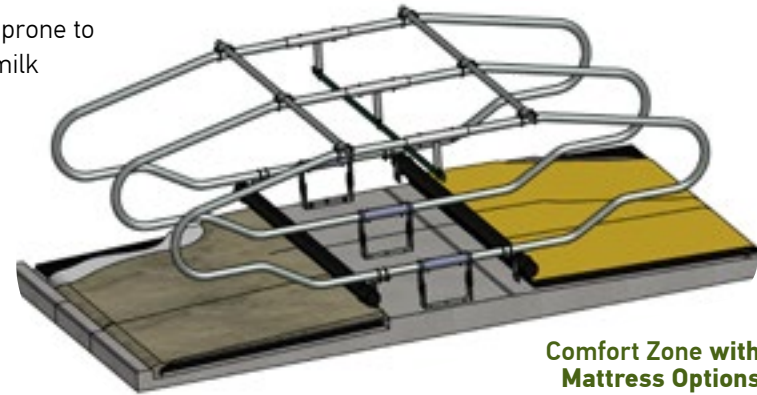
- The Comfort Zone system gives the animal ample space to enter the stall, lay down and rest in natural positions
- The Pasture Mat bed is designed to provide natural cow comfort, whether standing or lying down
- The easy to maintain bedding system helps reduce bedding costs by (up to) 80%
- Result: 🐮 = 🛏️ = 💰

**Lunging:** Without proper lunge space a cow reacts with unnatural behaviour when attempting to stand and is prone to serious leg or back injury.

- The dimensions of the Comfort Zone System ensure the animal is able to rise from a lying position in a single, natural motion
- The brisket and neck rail dimensions are designed to properly index the animal as she enters the stall to ensure that she doesn't lie too far forward and compromise her lunging ability
- Result: safer animal, cleaner stalls

**Overcrowding:** Without proper spacing or the ability to lay down comfortably the animal undergoes stress which directly impacts the production of milk. We believe animals need:

- Freedom to lie on their sides, with unobstructed space for their neck and head
- Freedom to rest their heads against their sides without hindrance from a partition
- Freedom to rest with their legs, udder and tails on the platform
- Freedom to stand or lie without fear or pain from neck rails, partitions or supports



“ Certain cow behaviours will increase a dairy's milk production, significantly reduce bedding costs, ensure lower risk of injury to the animal, and ultimately increase the dairy's bottom line. ”

**John de Jonge**  
President, Artex Barn Solutions

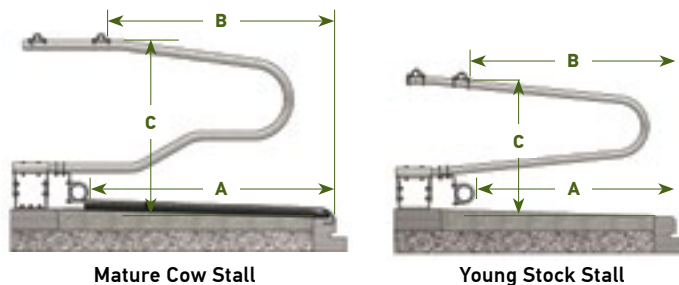
# STALLS & MOUNTING HARDWARE

## STALLS

With its unique cow ergonomic bend, Artex stalls allow the maximum space for the cow's hip and pin bones which allows her to rest naturally and reduces the chance of injury.

Artex ensures that all steel material being used in its products meets global ASTM standards. All stalls are available in Pre-Galvanized material or Hot Dipped Galvanized after fabrication. Both will give increased longevity.

Stalls come in a variety of sizes to ensure maximum comfort for each animal type.



“Cows are using the stalls, and we have less injuries. How can I put a price tag on that?”

**Harry DeWitt**  
High Plains Dairy  
Texas, USA

## ARTEX FREE STALL RECOMMENDATIONS (GENERAL GUIDLINES)

Animal			Artex Free Stalls				
Age	Weight	Shoulder Height	Artex Freestall	Width	Brisket	Shoulder Bar	
					A	B	C
Birth - 2 mos	45 - 113 kg	94 cm	Calf Zone Pens				
	100-250 lbs	37"					
3 - 6 mos	113-159 kg	94 -104 cm	135 cm	66-70 cm	102 - 107 cm	97 - 102 cm	80 - 86 cm
	250 - 350 lbs	37 - 41 in	53 in	26 - 28 in	40 - 42 in	38 - 40 in	32 - 34 in
6 - 9 mos	159 - 268 kg	104 - 114 cm	135 & 170 cm	74 - 80 cm	112 -122 cm	107 - 112 cm	86 -91 cm
	350 - 590 lbs	41 - 45 in	53 & 67 in	29 - 31 in	44 - 48 in	42 - 44 in	34 - 36 in
9 - 12 mos	268 - 349 kg	114 - 122 cm	170 & 183 cm	80 - 90 cm	122 - 132 cm	114 - 127 cm	91 - 97 cm
	590 - 770 lbs	45 - 48 in	67 & 72 in	32 - 35 in	48 - 52 in	45 - 50 in	36 - 38 in
12 - 15 mos	349 - 431 kg	122 -132 cm	183 cm UCP78	90 - 97 cm	132 - 137 cm	127 - 137 cm	97 - 104 cm
	770 - 950 lbs	48 - 52 in	72 in UCP78	35 - 38 in	52 - 54 in	50 - 54 in	38 - 41 in
15* - 18 mos	431 - 508 kg	132 - 140 cm	UCP78 & J2Ks	97 - 104 cm	137 - 142 cm	137 - 142 cm	104 - 109 cm
	950 - 1120 lbs	52 - 55 in		38 - 41 in	54 - 56 in	54 - 56 in	41 - 43 in
18 - 21 mos	508 - 558 kg	140 - 142 cm	UCP J2K & Y2K's	104 - 112 cm	142 - 147 cm	142 - 150 cm	109 - 114 cm
	1120 - 1230 lbs	55 - 56 in		41 - 44 in	56 - 58 in	56 - 59 in	41 - 43 in
21 - 24** mos & Jersey Cows	558 - 612 kg	142 - 145 cm	UCP J2K & Y2K's	112 -117 cm	147 - 153 cm	150 - 158 cm	114 - 122 cm
	1230 - 1350 lbs	56 -57 in		44 - 46 in	58 - 60 in	59 - 62 in	45 - 48 in
Cows (Holstein)	612 - 726 kg	145 - 152 cm	UCP J2K & Y2K's	122 cm	168 - 183 cm	168 - 183 cm	127 cm
	1350 - 1600 lbs	57 - 60 in		48 in	66 - 72 in	66 - 72 in	50 in

All measurements are general guidelines and should be adjusted according to animal breeds, genetics and free stall equipment used.  
\* Breeding Age  
\*\* Calving Age

# STALLS & MOUNTING HARDWARE

## MOUNTING HARDWARE

A wide range of stall mounting options such as wood post mounts, steel post mounts, floor mounts and the Bio-Rail Mounting system are all available in both single and double row to meet each dairy's needs.

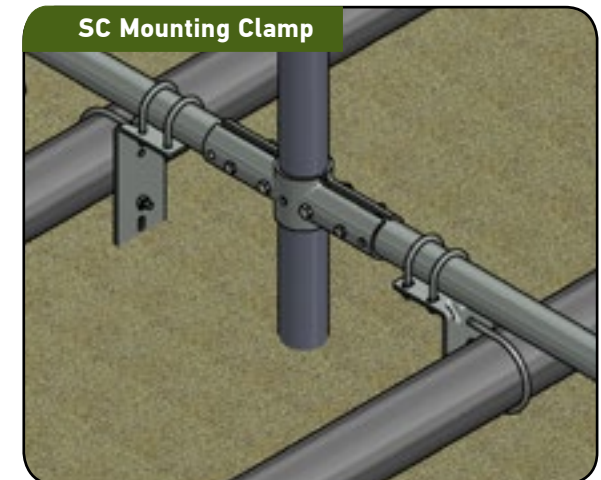
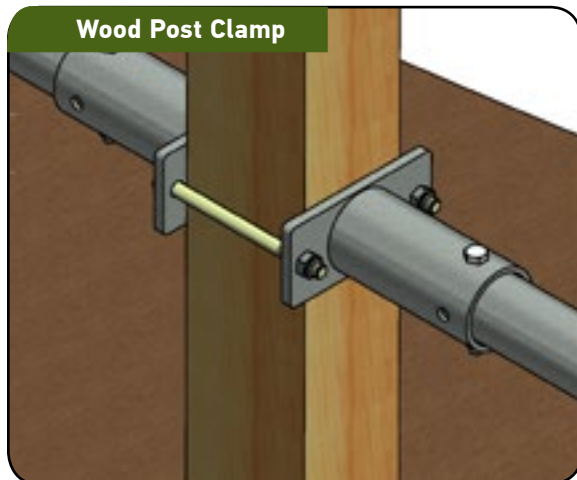
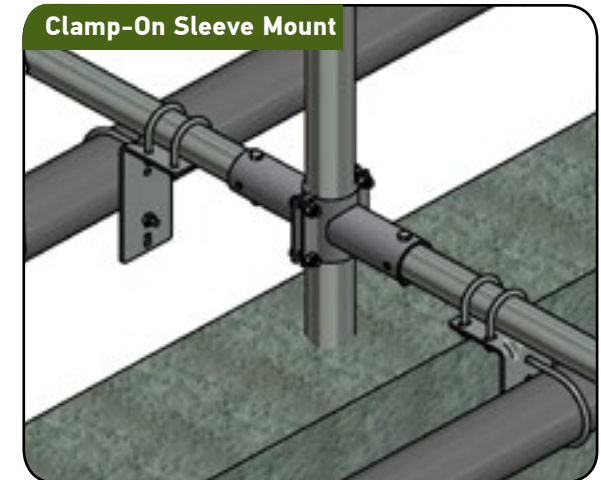
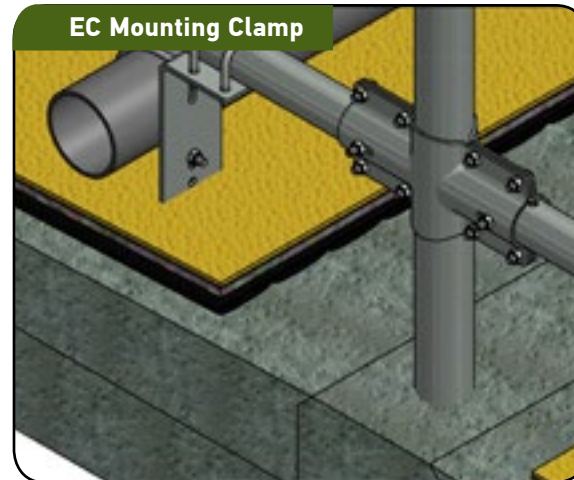
### Post Mounts

Wood Post Mounts:

- Bolt Through
- U-bolted
- Surround style

Steel Post Mounts:

- Available in Round or Square
- EC or SC Clamps for both Post or Rail Mount
- Weld On Sleeves in Galvanized or Bare Metal
- Clamp on mounts



# STALLS & MOUNTING HARDWARE

## MOUNTING HARDWARE

### Floor Mount System (Patented):

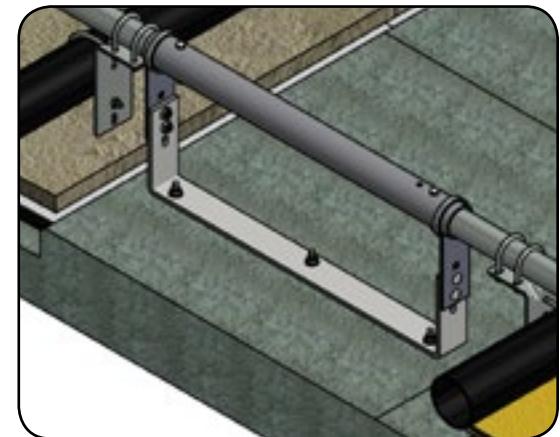
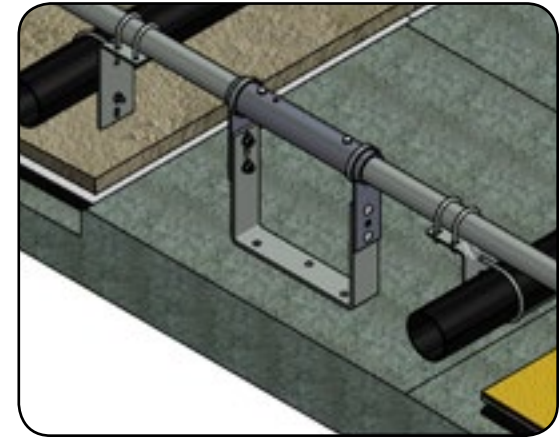
Floor Mounts provide unobstructed lunging room and allows natural head movement for grooming and resting. Make installation easy with the Artex Floor Mount System.

Artex's Floor Mount System provides many benefits including:

- Posts are not required for mounting the stalls
- Floor mounts can be adjusted to compensate for uneven concrete
- Stall height can be modified to suit different animal sizes ensuring a continuous, comfortable environment

Floor Mount Options:

- Extra-long Floor Mount for wide platforms
- Extra-high Floor Mount for deep compost or sand pack
- Top pipe stall connector available as standard sleeve or slotted for more rigid installation

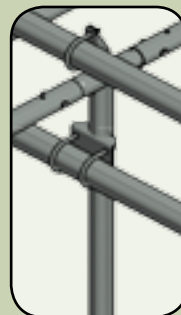
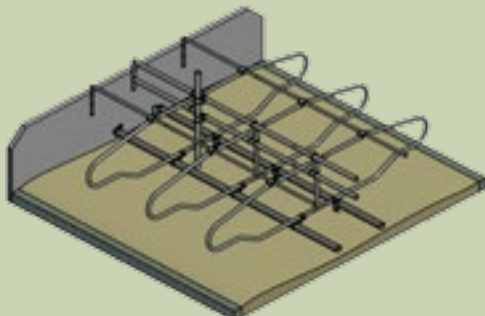


### Bio-Rail Mounting System

Artex's unique rail mounting system is great for where concrete in the bedding is not desired or for retrofitting existing barns. The Artex Bio-Rail also has a double pipe structure for enhanced strength. The Bio-Rail can span up to 4.9M (16ft) between posts and allows for easy adjustment for a variety of ages and sizes of animals.

Features:

- Saves on labor and materials during construction
- Mounts are above bedding
- Wood and steel post mounting options



Steel Post Mount



Wood Post Mount

The Floor Mount is protected by the following United States and Canadian patents. Other United States and foreign patent applications are filed and pending:

- United States Patent 7,469,659
- United States Patent 6,467,434
- Canadian Patent 2,299,085



# SELF LOCKS

Artex continually strives to improve its self locks to ensure:

- **Durability** – more steel per item compared to what the market offers, increased welds, larger bushings
- **Low maintenance** – minimal moving parts
- **Ease of installation** – with the Easy-Mount Hardware installation can effectively be carried out by one person
- **Cow Friendliness** – quick release mechanism, good head and neck spacing

Pre dipped and hot dipped self locks available in many lengths from .61m – 6.1m (2 ft - 20ft). Artex understands that every climate and country has different needs and we are willing to work with you.

All of these factors work together to provide the best feeding environment for the animals, make it more convenient to isolate an animal for treatment and minimize maintenance costs.

## SELF LOCK COMPARISON

Openings per 3.05M (10 ft)	Recommended Age	Panel Height (Rounded off)	Opening Spaces	Neck Spacing
8	3 - 6 months	73.66 cm	36.2 cm	12.7 cm
		29 in	14.25 in	5 in
7	6 - 9 months	81.28 cm	28.74 cm	15.24 cm
		32 in	15.25 in	6 in
6	9 - 20 months	88.9 cm	48.26 cm	16.51 cm
		35 in	19 in	6.5 in
5	20 - 24 months & Mature cows	96.52 cm	58.42 cm	19.05 cm
		38 in	23 in	7.5 in
4	Mature Cows with Extra Space	96.52 cm	73.66 cm	19.05 cm
		38 in	29 in	7.5 in

8 Opening



7 Opening



6 Opening



5 Opening



4 Opening



# SELF LOCKS

## SELF LOCK RECOMMENDATIONS

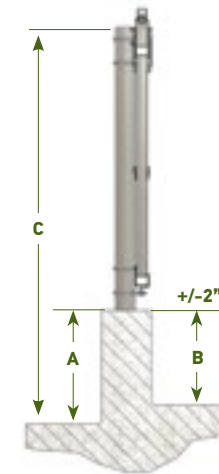
Animal*		Artex Self Lock		Installation		
Age	Weight	Shoulder Height	Openings	A	B	C
0 to 3 mos	Artex recommends Sloped Feed Rails for this Age					
3 to 6 mos	114-186 kg	94-104 cm	8 in 3.05 m	30 cm	20 cm	114 cm
	250-410 lbs	37 - 41 in	8 in 10 ft	12 in	8 in	45 in
6 to 9 mos	186 - 268 kg	104 - 114 cm	7 in 3.05 m	36 cm	25 cm	125 cm
	410 - 590 lbs	41 - 45 in	7 in 10 ft	14 in	10 in	49 in
9 - 20 mos	268 - 540 kg	114 - 142 cm	6 in 3.05 m	40 cm	30 cm	140 cm
	590 - 1190 lbs	45 - 46 in	6 in 10 ft	16 in	12 in	55 in
20-24 months & Jersey's	540 - 612 kg	142 - 145 cm	5 in 3.05 m	46 cm	36 cm	153 cm
	1190 - 1350 lbs	56 - 57 in	5 in 10 ft	18 in	14 in	60 in
Cows (Holsteins)	545 - 726 kg	142 - 152 cm	5 in 3.05 m	46 cm	36 cm	153 cm
	1200 - 1600 lbs	56 - 60 in	5 in 10 ft	18 in	14 in	60 in

\* All specifications in this chart are based on Holstein cows.

\*\* This measurement is the minimum post height requirement to achieve our recommendations.

“Artex is always willing to work with us on custom designs and new products for our market. With 22 million cows in our distribution area, this is a benefit we definitely appreciate.”

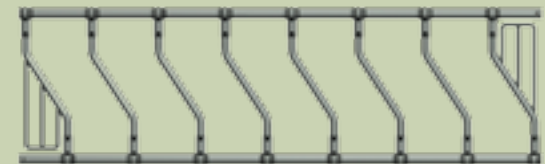
**Rinse Andringa**  
Cowhouse International  
The Netherlands



## FEED RAILS

Artex Feed Rails are hot dipped galvanized and are available in 2.44 m, 3.05 m or 3.66 m (8', 10' or 12') panels.

Use this feed rail to train younger animals for self locks as they mature. The unique bends in the uprights ensure maximum cow head and neck space and work well to decrease neck sores and feed wastage.





# SELF LOCKS

## Maternity Self Lock:

- Full cow body height so cows can lay down.
- Ideal for in calving or treatment pens
- Manually assisted self locker
- Can be unlocked from behind with the Artex Pro-Pole

## Self Lock Options:

- **Noise Reducers** – Reduces noise from swing arm. Comes standard on all hot dipped self locks. Optional on all pre-galvanized panels.
- **Pro-Pole** – Allows you to release animals from behind them, thereby reducing stress for the herd.
- **Individual Lock Up** – Easy and safe device that keeps individual animals locked up while allowing you to keep the lockers in the open position for all other animals to come and go as they please.



Maternity Self Lock



Noise Reducer

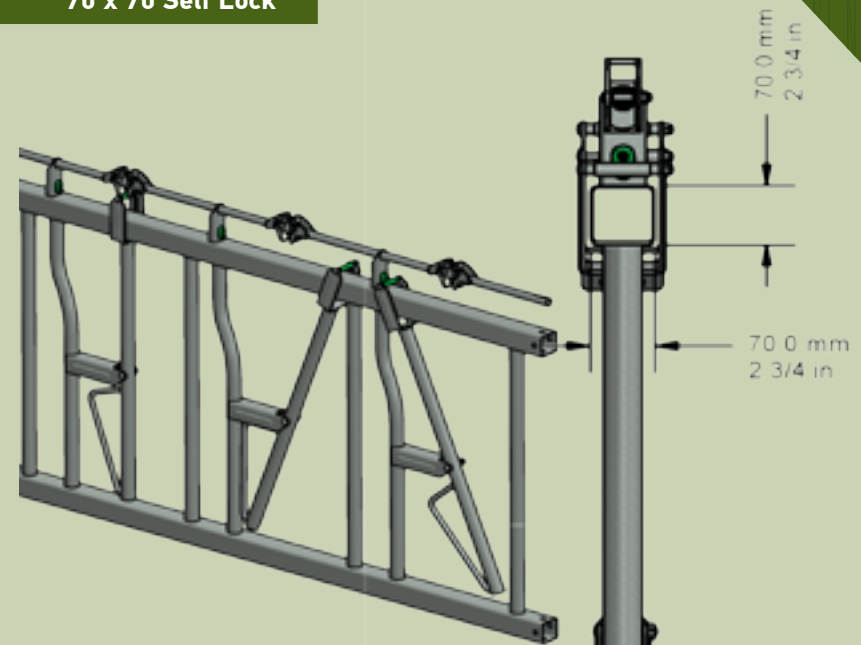


Individual Lock Up

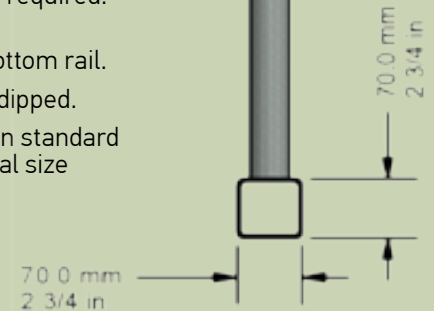


Pro Pole

## 70 x 70 Self Lock



- For spans up to 6M(20ft) without a mid support post.
- Great for special applications where extra panel strength is required.
- Strong 70mm x 70mm (2.75inx2.75in) top & bottom rail.
- Pre-galvanized or hot dipped.
- About 32% heavier than standard self lock panels of equal size

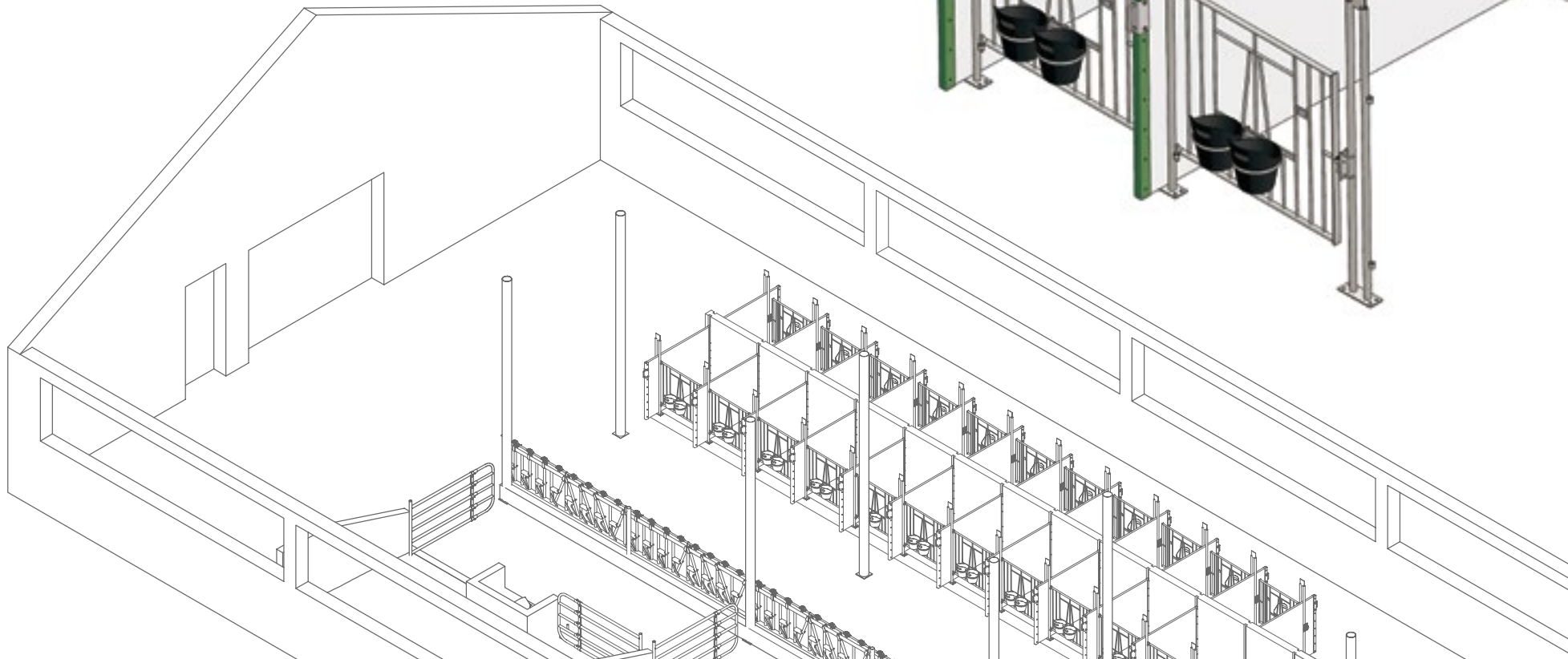
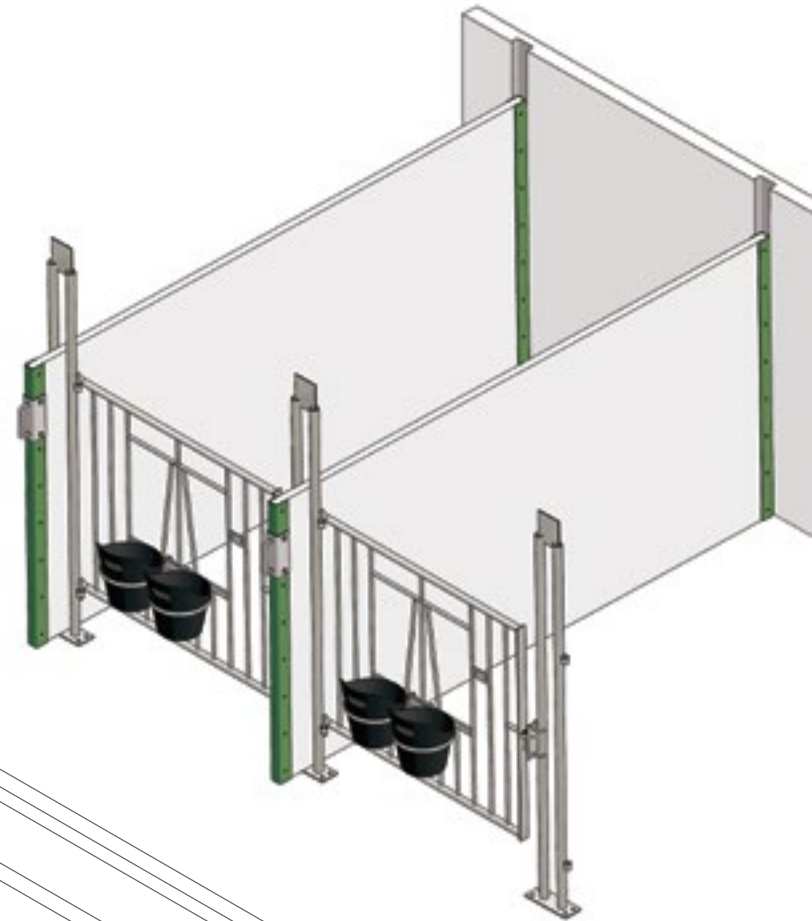


## CALF ZONE

The Artex Calf Zone is a great option in any climate, but even more so in temperate and colder environments. The Calf Zone was designed to ensure the wellness of the animal. The plastic walls that extend past the gate ensure that younger animals are not able to come in contact with animals in the adjoining pen.

The Calf Zone can be mounted against structural walls or in stand-alone rows. Panels between pens are removable for easy cleaning. Back panels come in both solid plastic or open spindle removable gates.

The front gate of the Calf Zone comes with two openings with bucket holders for separate feed and milk/water buckets. When needed an optional bottle holder or hay feeder can be added.

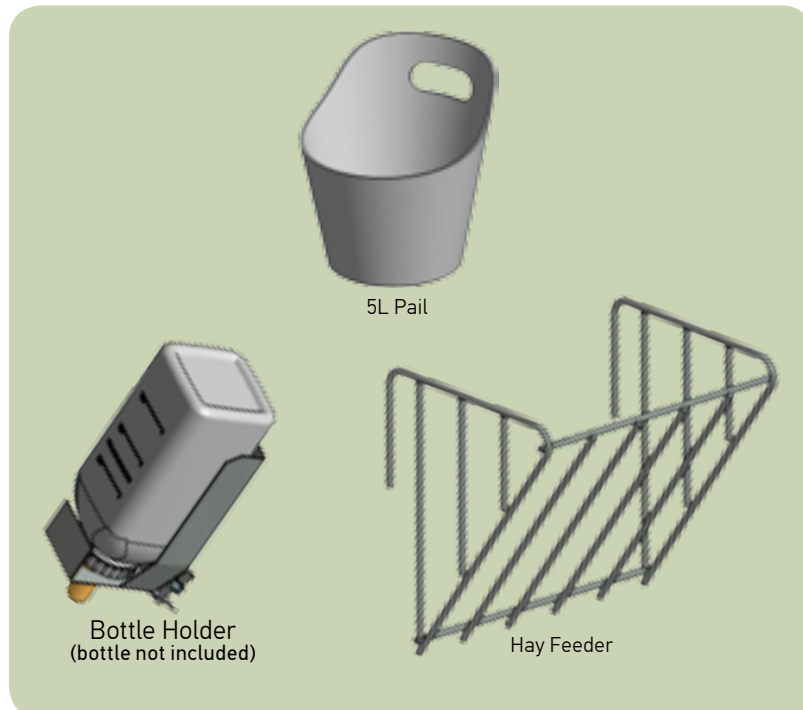
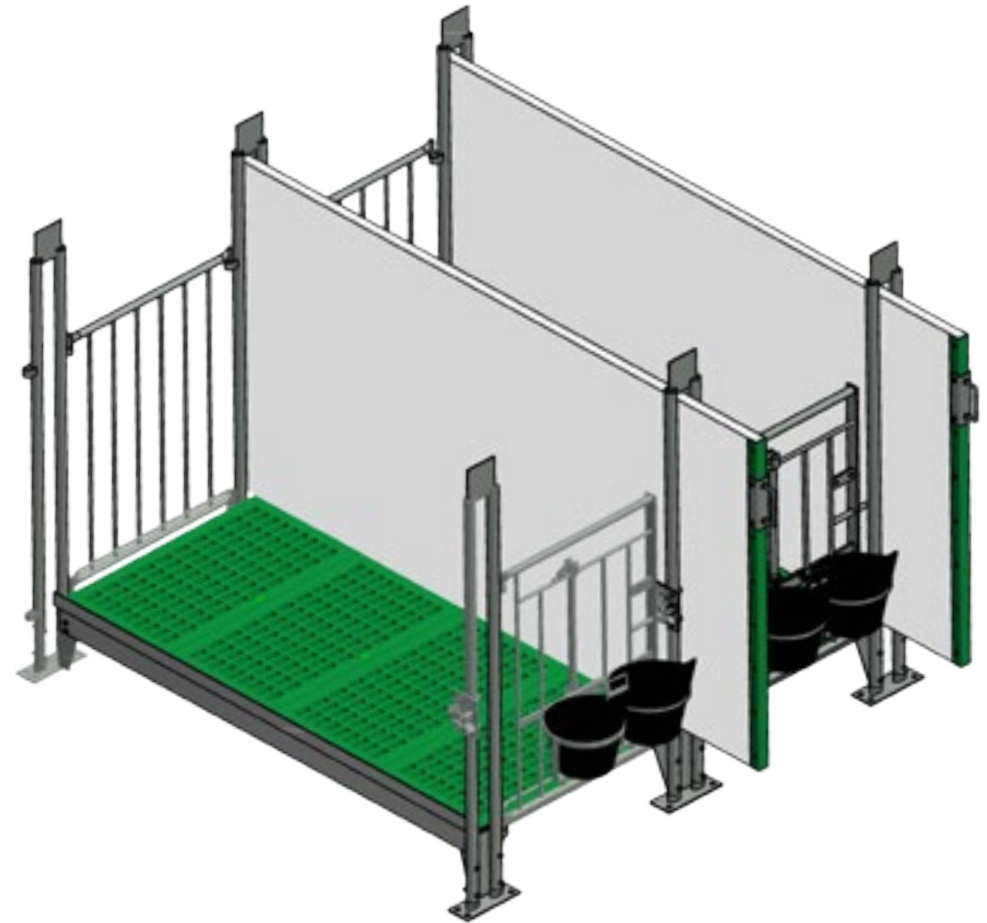


# RAISED CALF ZONE

The Artex Raised Calf Zone includes most of the regular Calf Zone features with some added benefits. The Raised Calf Zone is ideal for warm climates, or environments where temperature and airflow can be controlled.

The raised and slatted floors are easy to wash down for sanitation and reduction of ammonia gases and have been designed for manure flush systems. Modular slats, designed with calves in mind, can be easily removed for intensive cleaning and disinfecting. Includes a manual head locker in the front gate for treatment. The Raised Calf Zone's simple design makes assembly easy and fast.

An optional rubber mat is available for the Raised Calf Zone to provide additional cushion for new born calves.



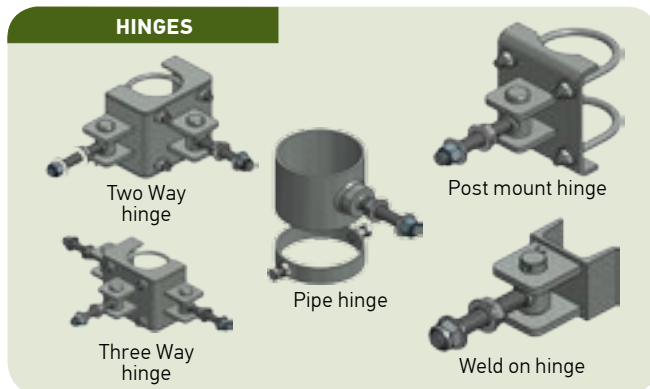
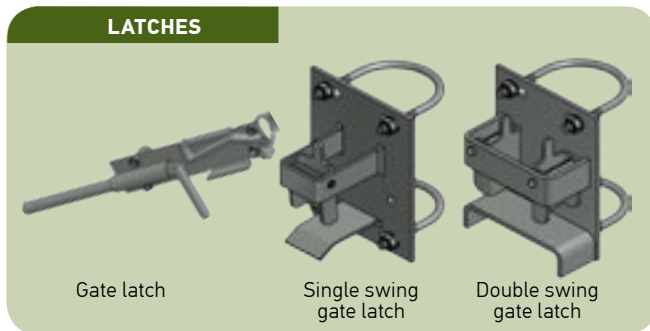


# ADJUSTABLE GATES

Artex makes a variety of gates to meet most applications. All gates are adjustable and can be customized to include features such as man passes and wheels.

In other words, you can save yourself the cost of having custom gates made.

We provide choices for latching and hinging systems as well. Your barn, your way.



**Support Wheel**

“We like the flexibility and simplicity of these gates. No cutting or clamping required. They are just easy to install.”

**Rick Bauman**

Sales Manager, Norwell Dairy Systems  
Ontario, Canada



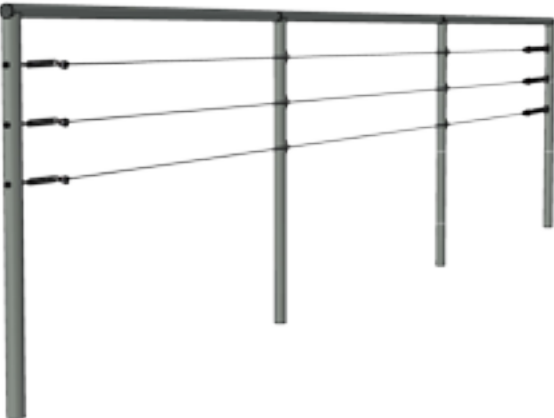
# RAIL AND CABLE FENCING

The Artex Fencing solution offers hot dipped galvanized panels which fit together seamlessly to create a complete fence line for both a rail and cable fence application. Available in a variety of sizes and styles, their innovative and versatile design enables simple customization. The Artex Rail and Cable Fencing products are designed to be cemented into place and no on-site welding is required.

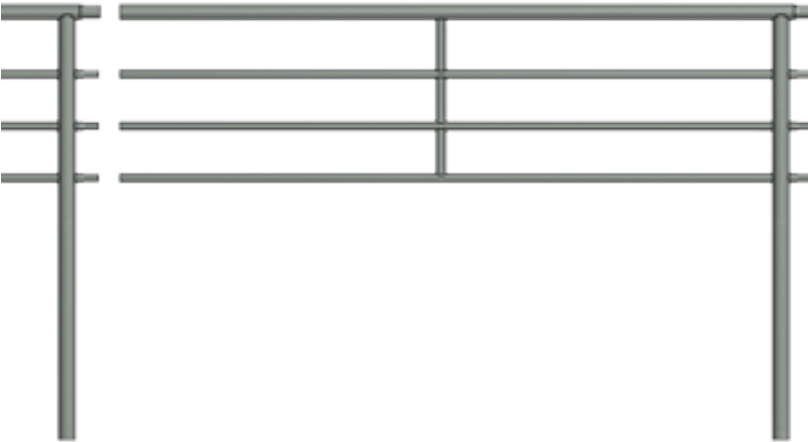
**Rail Fence**



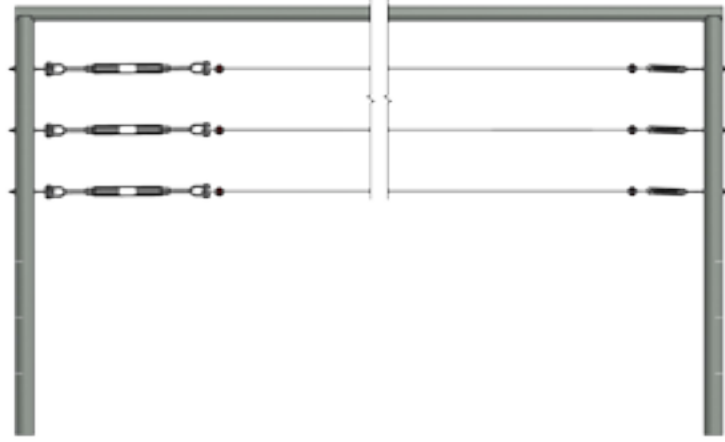
**Cable Fence**

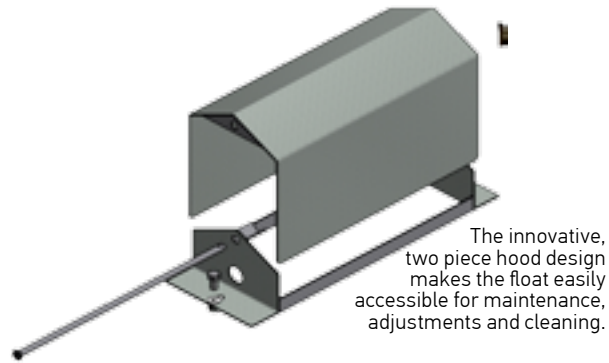


**Rail Fence**



**Cable Fence**

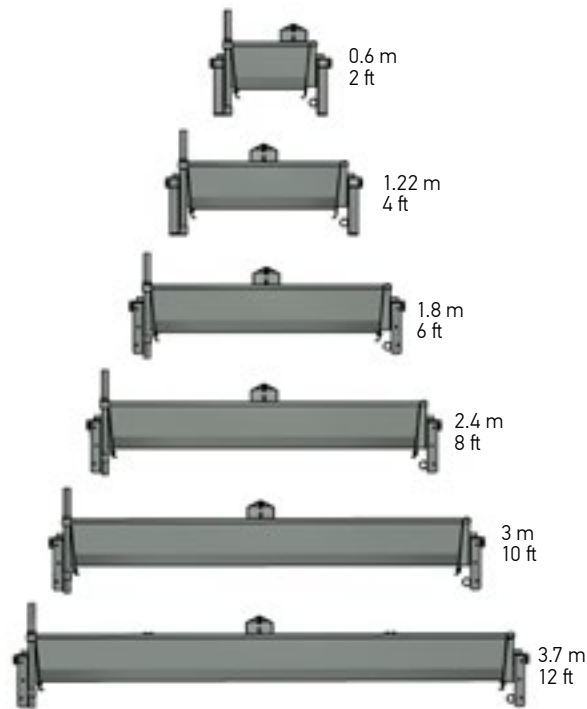




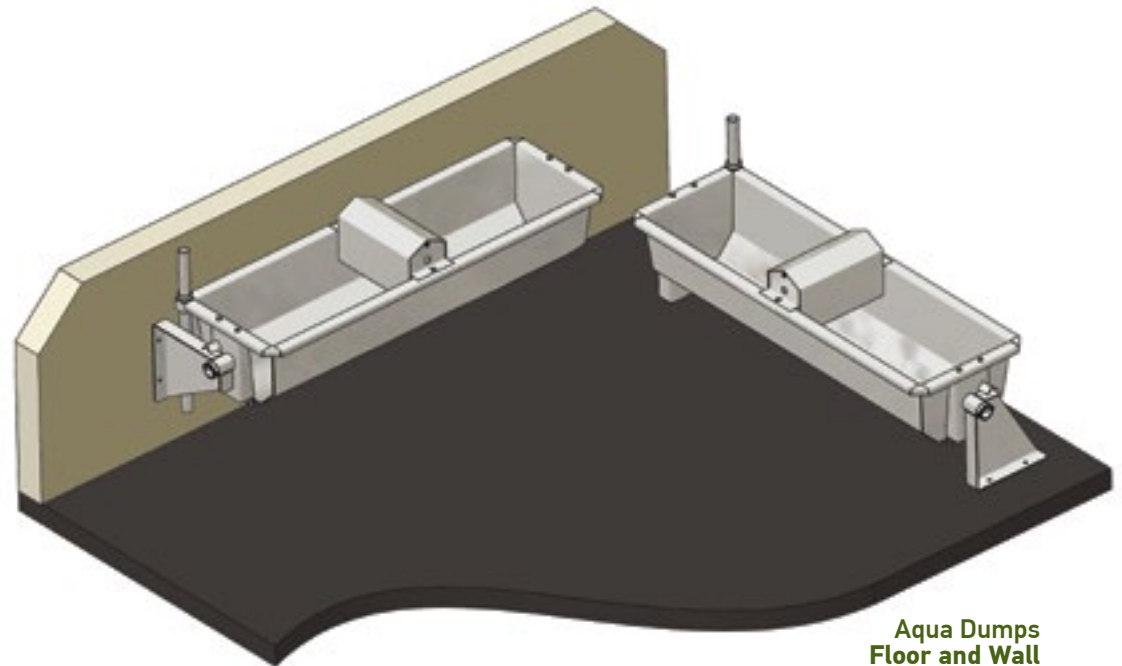
## AQUA DUMPS

Studies have proven that cattle are healthier when they have a clean supply of water available to them. Conventional tubs and troughs fill with sludge over time and are very difficult to keep clean. The Artex aqua dump features the simplest cleaning method available - simply unlock the lock-bar and dump the tub!

The unique design will flush all the grime and impurities from the bottom of the tank. Turn the tub upright and it will re-fill with fresh, clean water. With the floor mount option, the legs rise high enough so that you can clean out from underneath. If however, it doesn't suit to mount on the floor, our unique design allows you to also wall mount these on the side walls.



Available in galvanized or stainless steel



Aqua Dumps  
Floor and Wall  
mount options



“ We have had a relationship with Artex for over 10 years and have always found them to have great products, pricing and support. We will continue to work with Artex on future projects as well. ”

**Gilbert den Dulk**  
Fair Oak Farms



**Fair Oaks Farms Education Center**  
Fair Oaks, Indiana





## **GLOBAL BARN SOLUTION PROVIDERS**

### **Mailing Address**

P.O. Box 4111 Sumas Way  
Abbotsford, BC, Canada V2S 8R1  
**T:** 604.870.1000 **F:** 604.870.1035

[artexbarn.com](http://artexbarn.com)